

VELA



VELA Series
is designed to meet the requirements
of a wide range of flood- lighting applications.

VELA Series
lets you choose the exact number of lumens
you need for your application implementing
high efficiency and with maximum demands
in terms of quality of light, functionality,
design and individual needs.

The wide choice of optics ensures multiple application coverage.





Luminous flux	6500lm - 78,000lm
Correlated color temperature	3000K - 4000K
Light source	Integral LED module
Housing	ADC 12 Aluminum
Cover	Tempered glass
Screws	304 stainless screws
Driver	Tridronics / Meanwell / Inventronics (Other brands available upon request)
Electrical	Class I
Input voltage	90-305VAC / 50-60Hz ; 170-305VAC / 50-60Hz
Surge protection	10KV or 20KV (optional)
Dimming External cable	Dali / 1-10V / PWM / AstroDIM autonomous dimming / Smart control management 0.5m (other length available upon request)
C4 anticorrosion class	Standard
Driver CAB	Model sizes 50/75/100/150, 200/250/300 - optional; 450/600 - standard (built-in optional)
Lifetime	100,000 hours (at 25°C).
Operating temperature	-30° to 45°C.
Light fitting protection	IP66;IK08

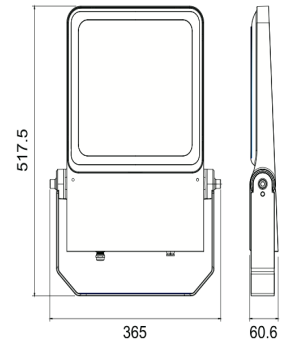
OPTIONAL FEATURES

- Smart control device
- Motion detection
- Wireless steering
- Sockets - Nema; Zhaga

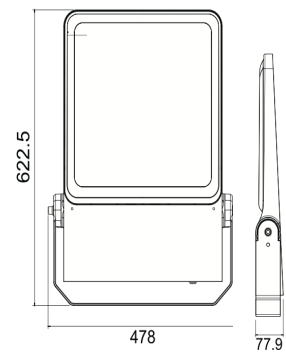


VELA

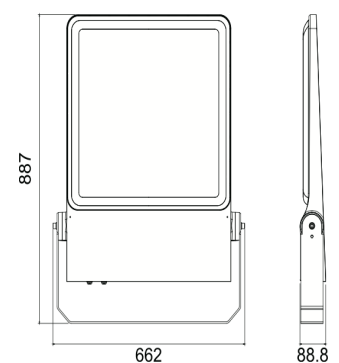
Name	Luminous flux netto (lm)	Power (W)	Efficacy (lm/W)	Standard CCT (K)
VELA 50	6500	50	130	4000
VELA 75	9750	75	130	4000
VELA 100	13000	100	130	4000
VELA 150	19500	150	130	4000
VELA 200	26000	200	130	4000
VELA 250	32500	250	130	4000
VELA 300	39000	300	130	4000
VELA 450	58500	450	130	4000
VELA 600	78000	600	130	4000



VELA 50 / 75 / 100 / 150



VELA 200 / 250 / 300



VELA 450 / 600