

STEEL SPORT INSTALLATION MANUAL



Unscrew the screws

1 HEX 3mm

Remove panel

2

Pull out connection terminal

3

Connection terminal

3.1

Main connection terminal

- N = Neutral / Neutral through
- ⊕ = Protective Earth / PE through
- L1 = Line / Line through
- L2 = Line through
- L3 = Line through

Through wiring scheme

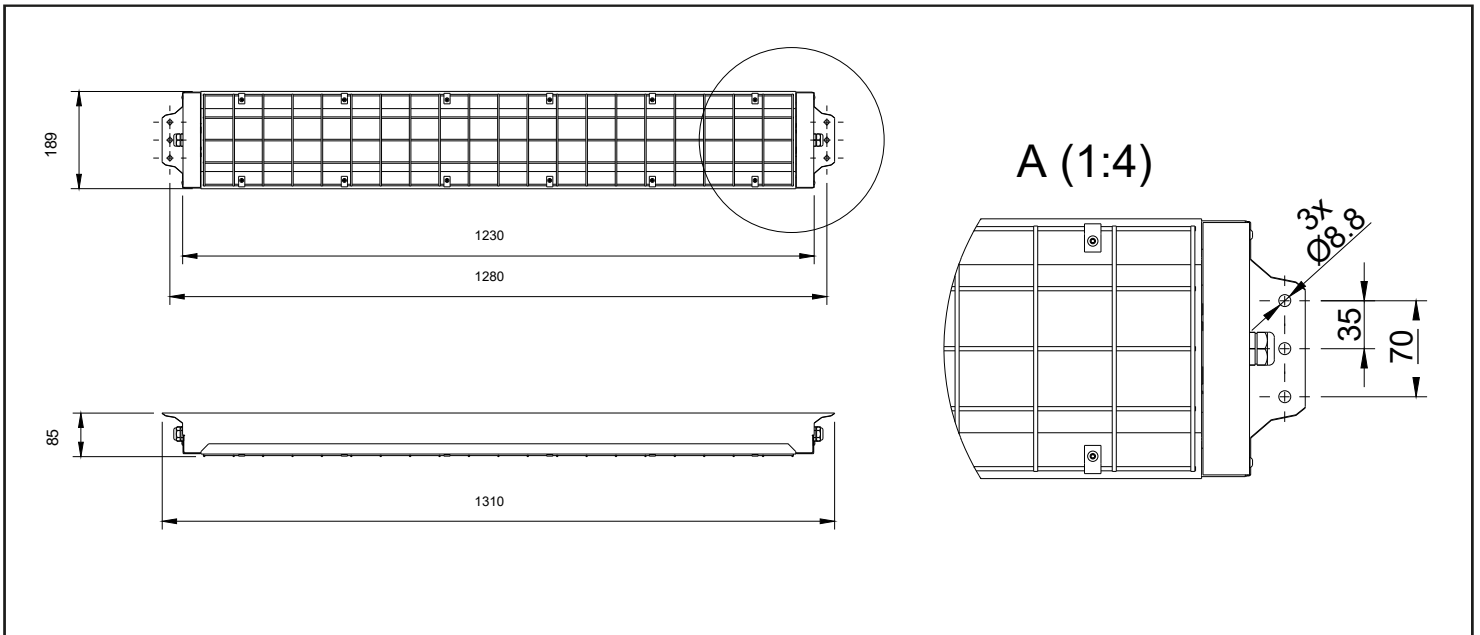
DALI connection terminal

- DALI = DALI line / DALI through
- DALI = DALI line / DALI through

Re-install panel

4 HEX 3mm

STEEL SPORT S



STEEL SPORT L

