

NORD



- The ready-to-install LED panel has been equipped with high-quality Tridonic components and uses Microprismatic optics.
- Edgelit panel for direct recessed mount and surface or suspended mount with accessories
- With pre-installed connection cable and integrated plug
- For suspended ceiling grid measure of 600x600mm and 1200x300mm



NORD



Luminous flux	2900lm - 4700lm
Correlated color temperature	3000K - 6500K
CRI	> 80
UGR	< 19
Optical material	PMMA
Beam characteristic Ambient	90°
temperature range	-20 ... +40 °C
Insulation test voltage	0.5 kV
Protection class	IP20
Lifetime	Up to 50,000 h (L80B10 at Ta 25°C)
Warranty	5 years

OPTIONAL FEATURES

- Suspension kit
- Surface mount kit
- DALI: Digital dimmable driver
- Wireless or Bluetooth light management
- Light control via sensors
- Tunable White modules

NORD 600x600



NORD 1200x300



Suspension mounted



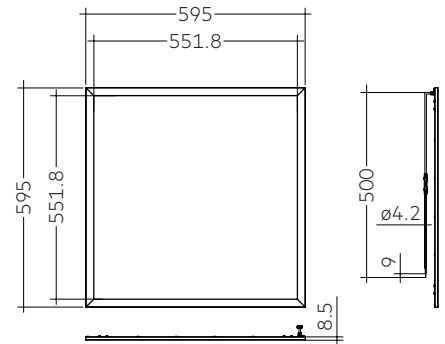
Surface mounted



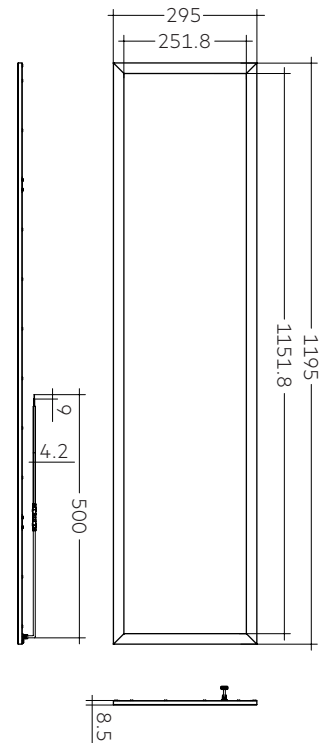
BasicDIM wireless sensor

NORD

NORD 600x600



NORD 1200x300



Name	Luminous flux at tp = 25 °C	Power (W)	Efficacy (lm/W)	CCT (K)
NORD 600x600 830 HE	2900	23	126	3000
NORD 600x600 840 HE	3200	23	137	4000
NORD 600x600 865 HE	3200	23	137	6500
NORD 1200x300 830 HE	2900	23	126	3000
NORD 1200x300 840 HE	3200	23	137	4000
NORD 1200x300 865 HE	3200	23	137	6500
NORD 600x600 830 NM	3900	31	122	3000
NORD 600x600 840 NM	4200	31	132	4000
NORD 600x600 865 NM	4200	31	132	6500
NORD 1200x300 830 NM	3900	31	122	3000
NORD 1200x300 840 NM	4200	31	132	4000
NORD 1200x300 865 NM	4200	31	132	6500
NORD 600x600 830 HO	4300	35	119	3000
NORD 600x600 840 HO	4700	35	129	4000
NORD 600x600 865 HO	4700	35	129	6500
NORD 1200x300 830 HO	4300	35	119	3000
NORD 1200x300 840 HO	4700	35	129	4000
NORD 1200x300 865 HO	4700	35	129	6500