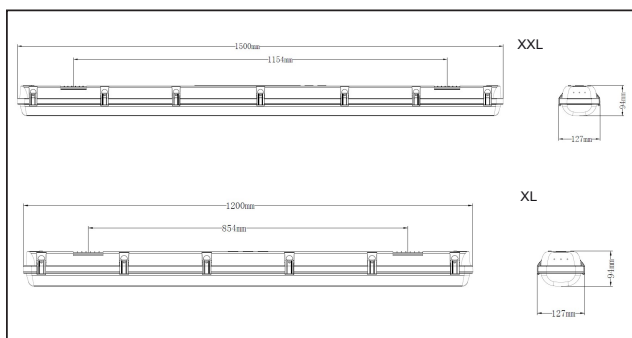


# INDULINE67

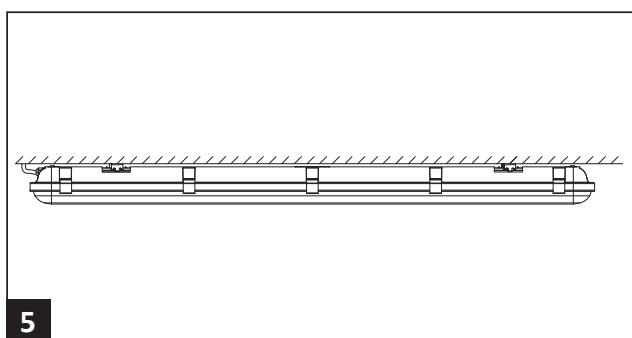
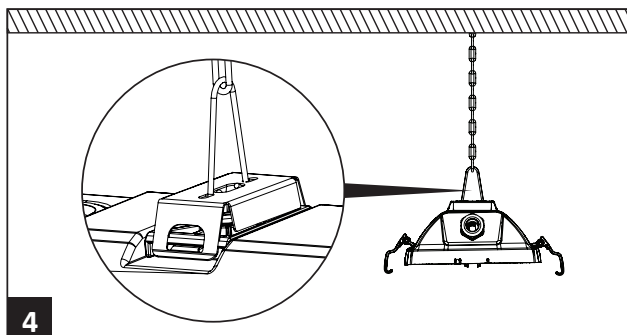
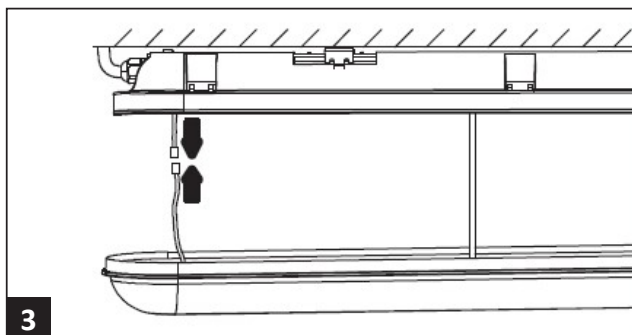
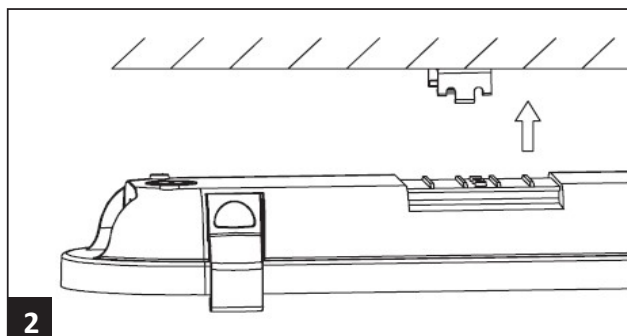
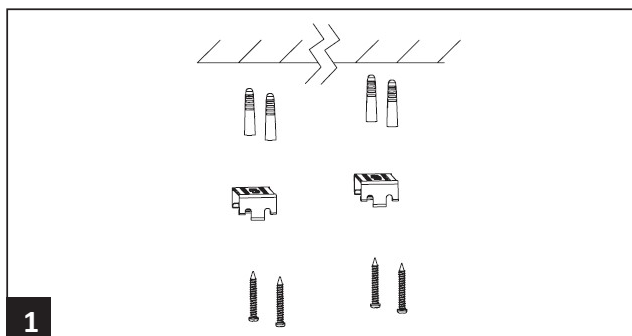
IP67

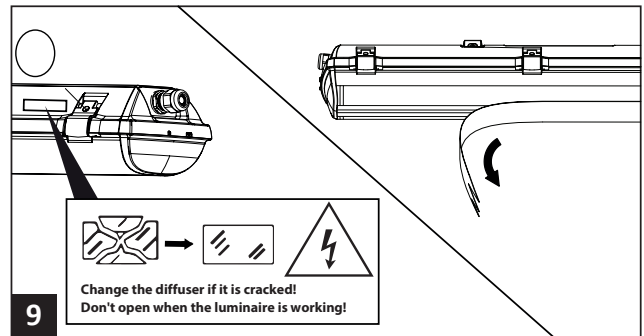
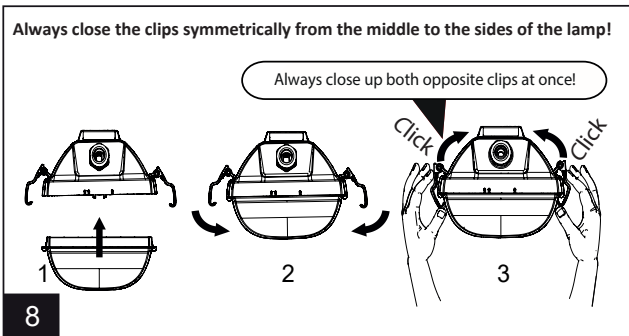
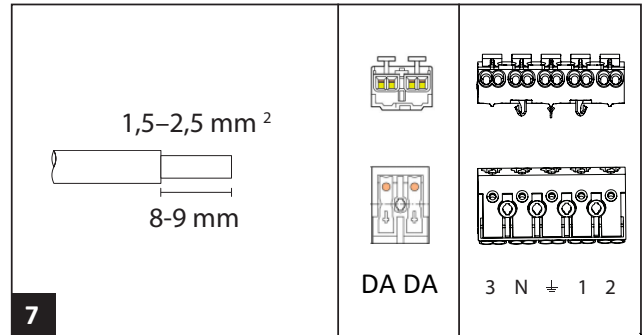
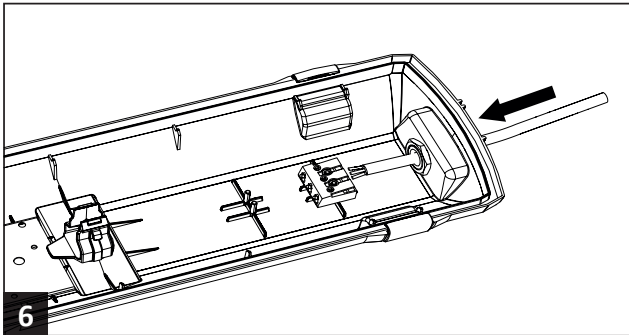


230V  
50Hz



	B10A	B16A	C10A	C16A
INDULINE67 XL PC ÖK	20	32	33	53
INDULINE67 PC DALI ÖK	20	32	33	53
INDULINE67 XXL HO PC ÖK	20	32	33	53
INDULINE67 XXL HO PC DALI ÖK	20	32	33	53





**The light source in this luminaire may be replaced only by the manufacturer or its contractual service technician or similarly qualified person!**

Installation can only be carried out by an authorized person and according to the mounting instructions. Any other installation is considered to be improper. For well installation and good luminaire work is necessary ensure a planarity of a mounting surface. Make sure that the luminaire is always disconnected from the power supply before the installation work. Do not use the luminaire if damaged or if damaged the power cable. Only damp microfiber cloth can be used for cleaning. technical changes are subjected without notice. Do not dispose the luminaire or its parts as household waste, but make the proper recycling.