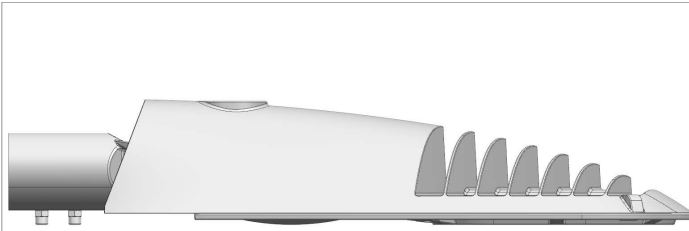
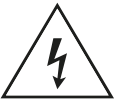


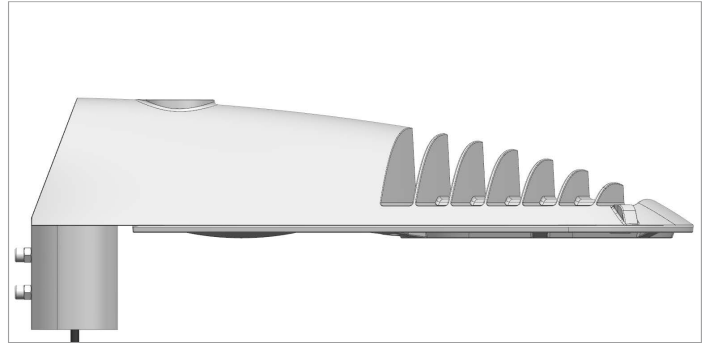
MOVO Series INSTALLATION MANUAL



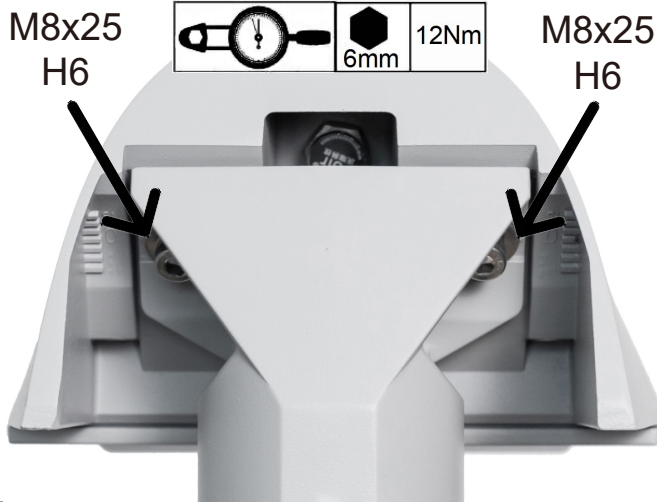
230V
50/60Hz



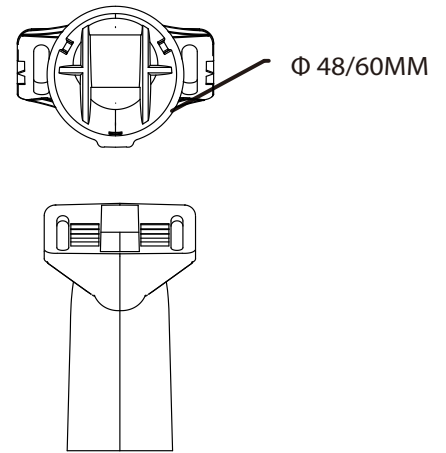
Horizontal Installation



Vertical Installation



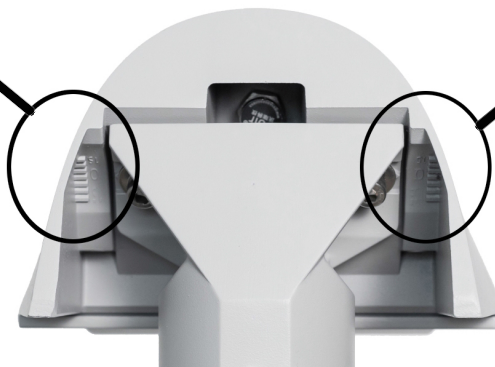
Adjustable inclination system



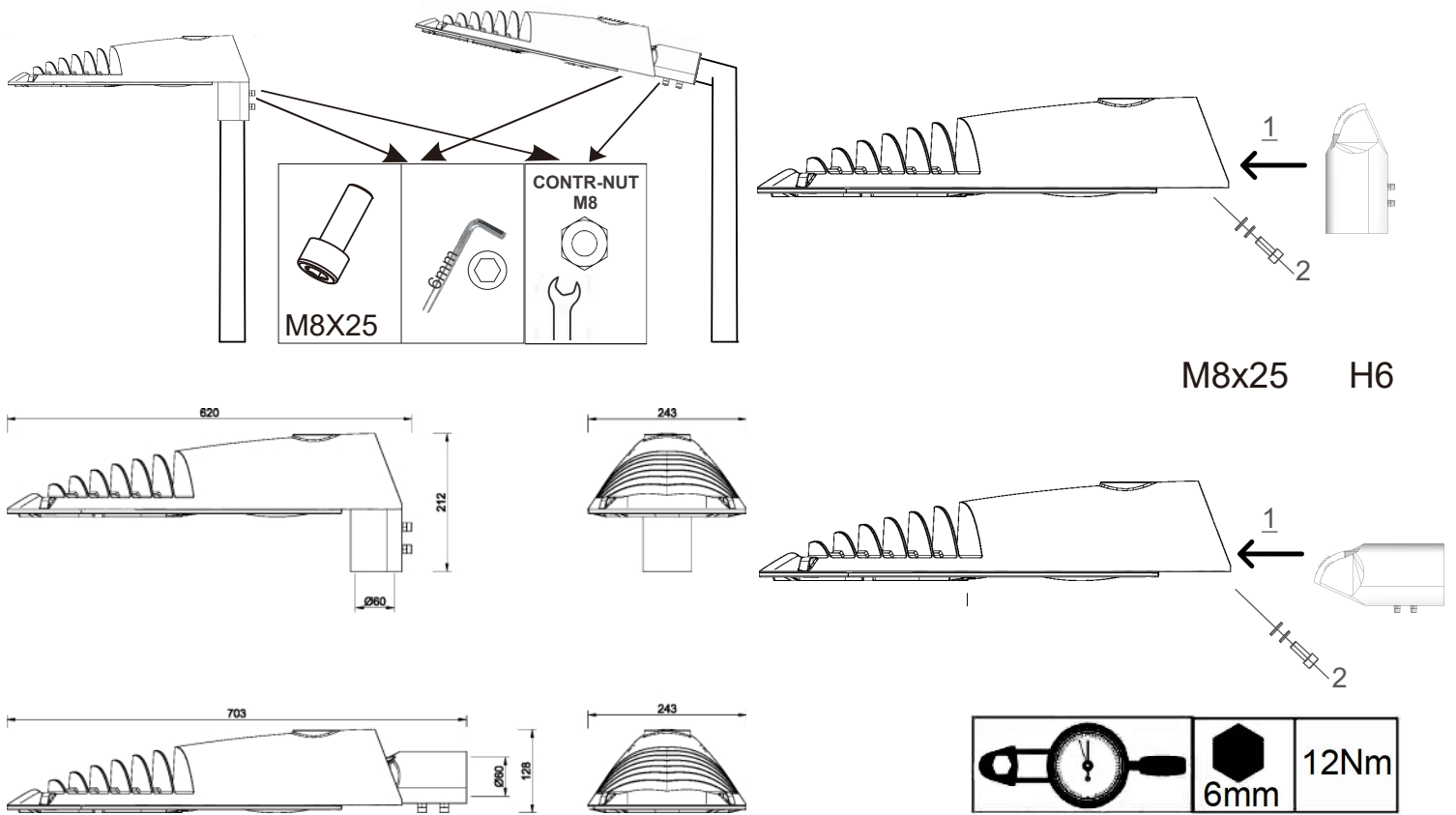
Pole Mount

-- 15
-- 10
-- 5
-- 0
-- 5
-- 10
-- 15

15 --
10 --
5 --
0 --
5 --
10 --
15 --



Pole Mount(Adjustable Angle)

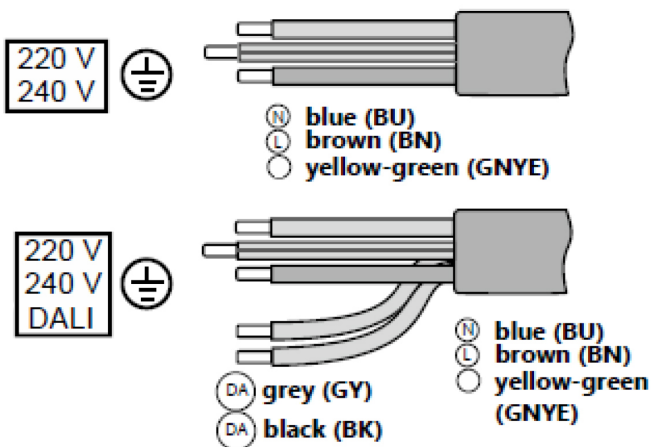


If the external flexible cable or cord of this luminaire is damaged, it shall be exclusively replaced by the manufacturer or his service agent or a similar qualified person in order to avoid a hazard.

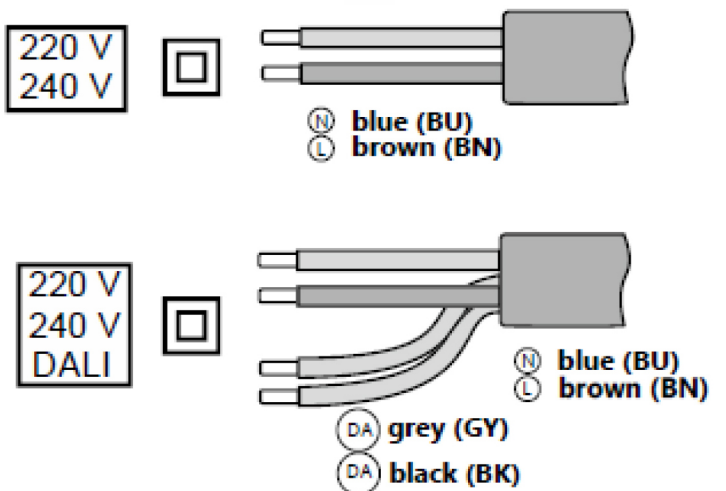
The light source contained in this luminaire shall only be replaced by the manufacturer or his service agent or a similar qualified person.

⚡ Wiring Diagram

Class I



Class II



Conductors rated according to the supply voltage must be used in the DALI control circuit.