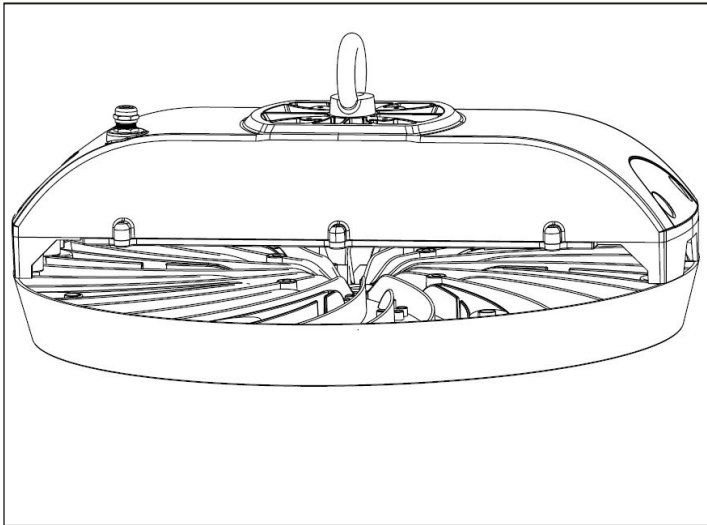
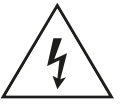


UKKO INSTALLATION MANUAL



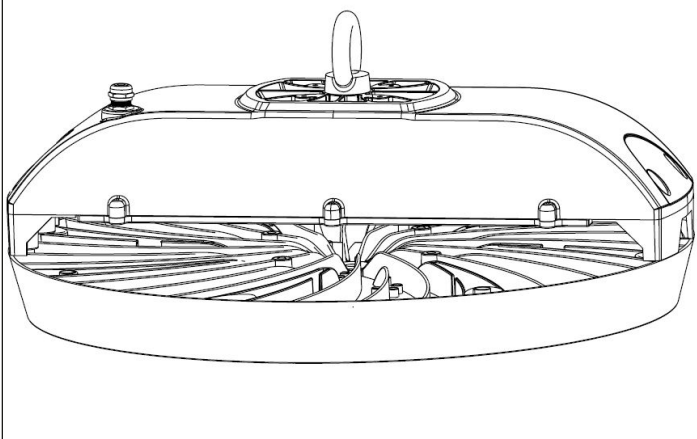
230V
50/60Hz



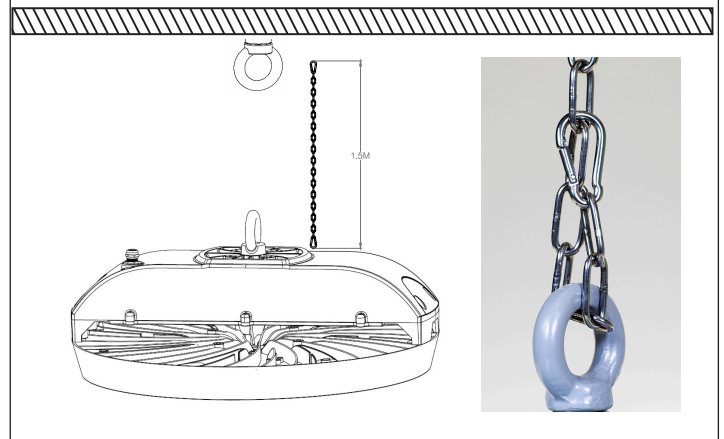
Packaging includes:

- Hook
- Installation chain 1,5m
- Installation manual
- Installation cable 2m 3x1,5m²
- DALI -> Dali cable 2x1,5m²

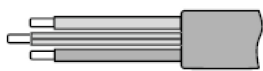
Install hook



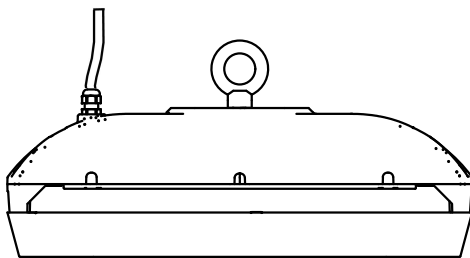
If necessary, install chain



NON-DALI



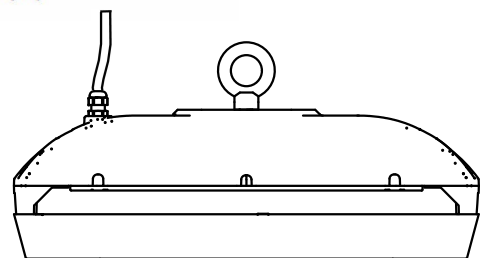
- Ⓝ blue (BU)
- Ⓛ brown (BN)
- Ⓞ yellow-green (GNYE)



DALI



- Ⓝ blue (BU)
- Ⓛ brown (BN)
- Ⓞ yellow-green (GNYE)
- Ⓛ DA grey (GY)
- Ⓛ DA black (BK)



If solid surface holder used

