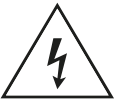


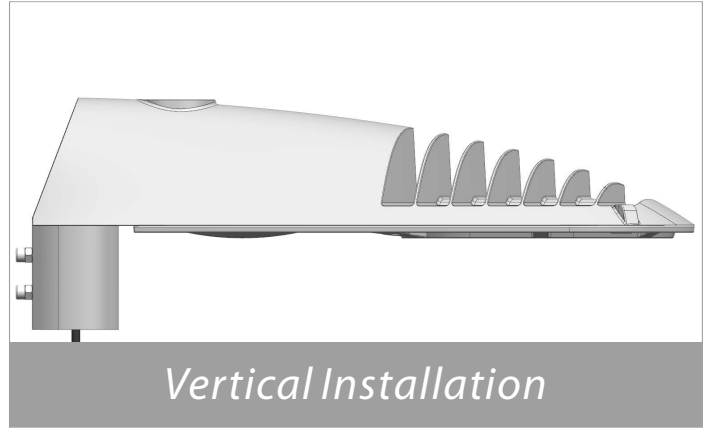
MOVO Series INSTALLATION MANUAL



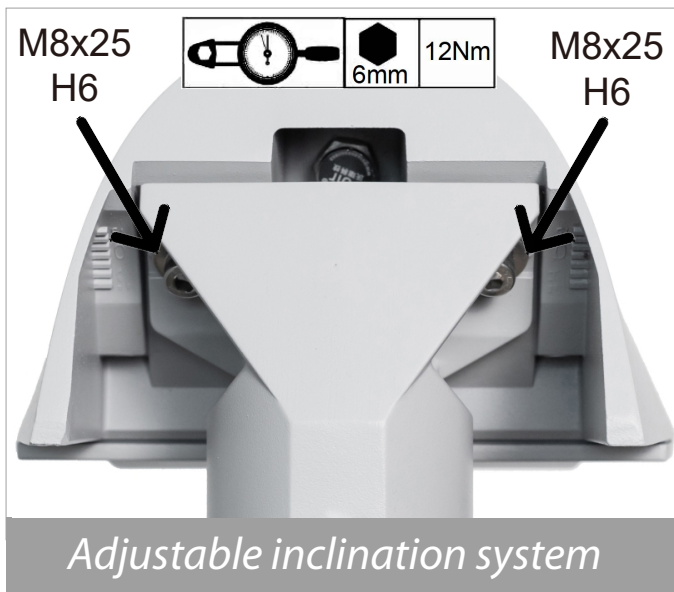
230V
50/60Hz



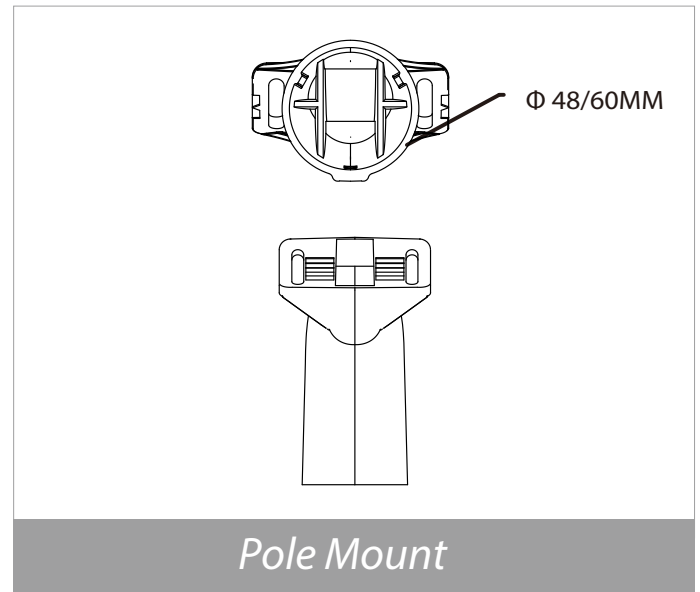
Horizontal Installation



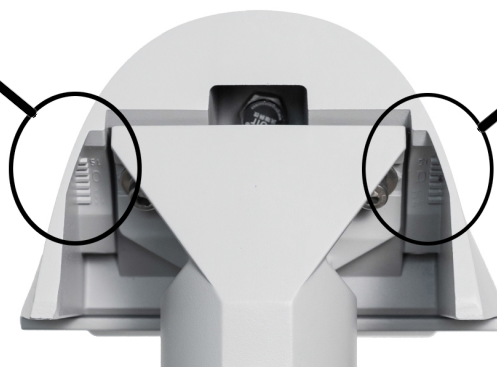
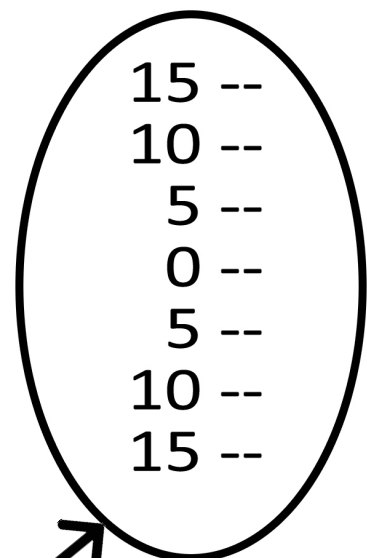
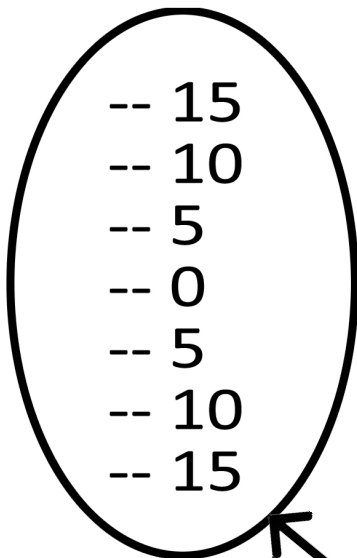
Vertical Installation



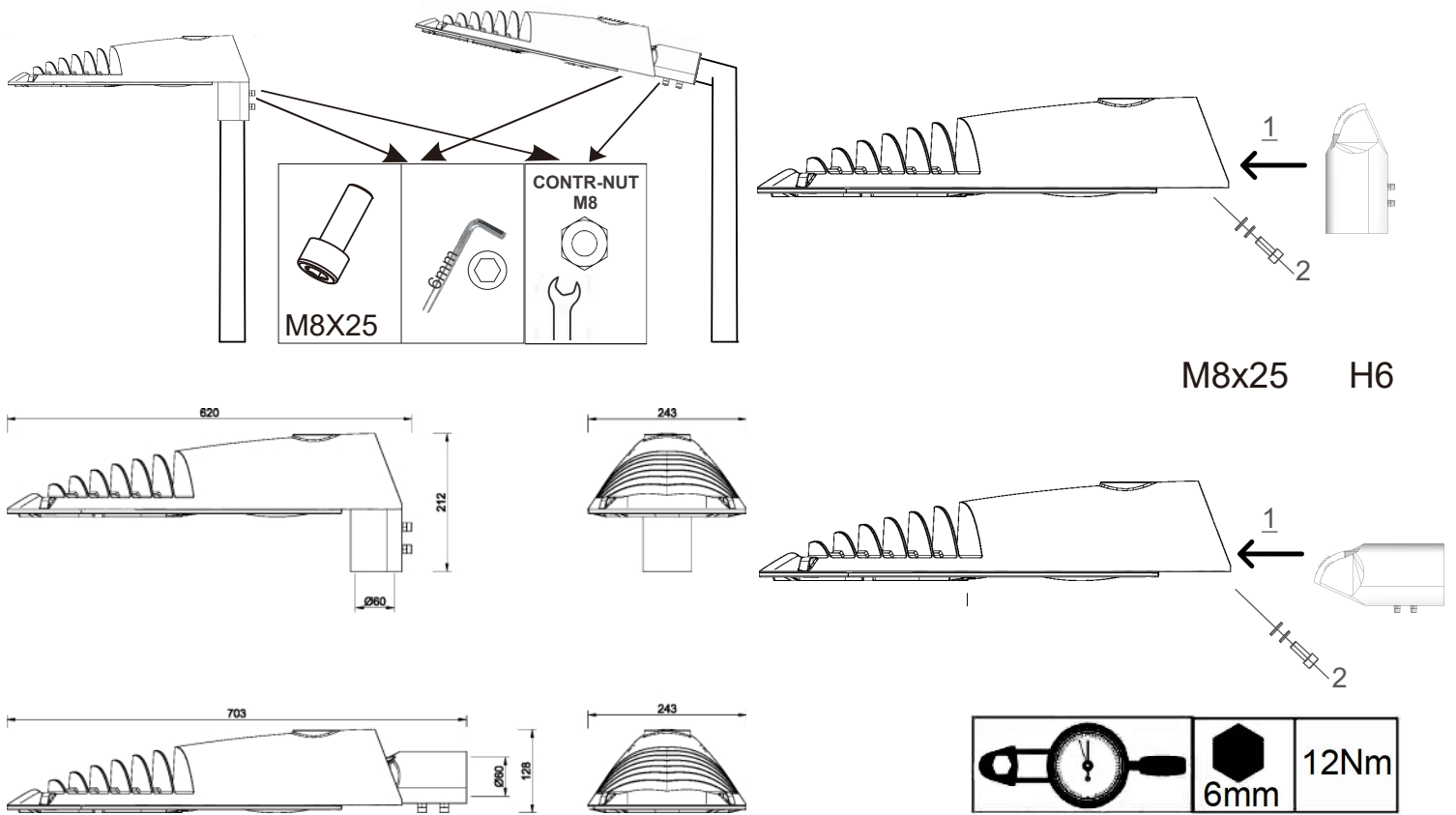
Adjustable inclination system



Pole Mount



Pole Mount(Adjustable Angle)

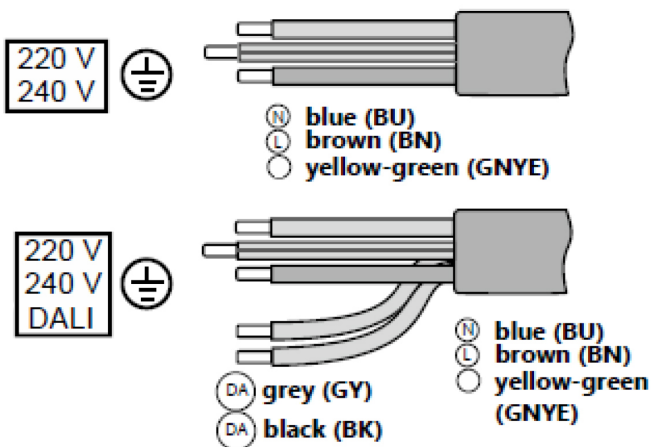


If the external flexible cable or cord of this luminaire is damaged, it shall be exclusively replaced by the manufacturer or his service agent or a similar qualified person in order to avoid a hazard.

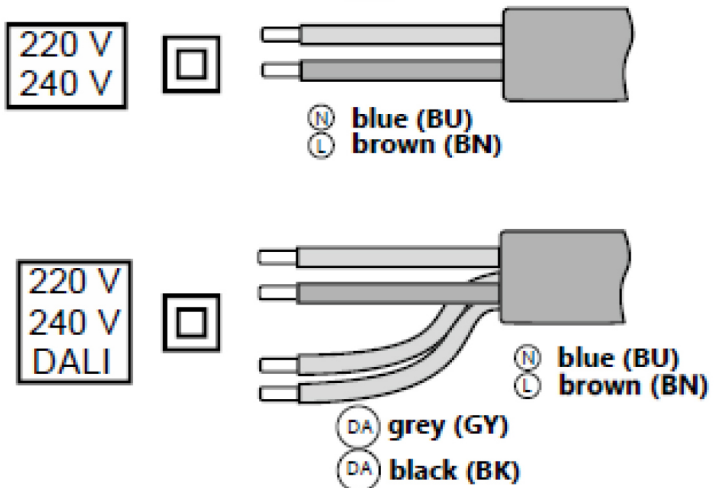
The light source contained in this luminaire shall only be replaced by the manufacturer or his service agent or a similar qualified person.

⚡ Wiring Diagram

Class I



Class II



Conductors rated according to the supply voltage must be used in the DALI control circuit.