

# VELA BASIC



## **VELA BASIC - VERSATILE & DURABLE AREA LIGHTING**

VELA BASIC is a robust and efficient LED luminaire designed for a variety of outdoor and industrial applications. With its high-performance LED module, durable construction, and weather-resistant features, VELA BASIC ensures reliable illumination for streets, parking areas, warehouses, sports facilities and commercial spaces. Engineered for long-term performance, it delivers energy-efficient lighting with minimal maintenance requirements.

# VELA BASIC

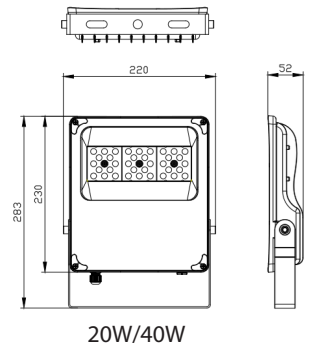


| Description                  | Value  |
|------------------------------|--|
| Luminous flux                | 2600lm - 40500lm                                   |
| Correlated color temperature | 4000K  |
| Lightsource                  | Integral LED module                                |
| Housing                      | ADC12 Aluminum                                     |
| Cover                        | Tempered glass                                     |
| Screws                       | 304 stainless screws                               |
| Electrical                   | Class I  |
| Input voltage                | 90-305VAC / 50-60Hz                                |
| Surge protection             | Up to 10kV (L/N - PE)                              |
| External cable               | Standard - 1m, other length available upon request |
| Lifetime                     | 75,000 hours (at 25°C)                             |
| Operating temperature        | -40° to 40°C                                       |
| Degree of protection (IP)    | IP66   |
| Impact strength (IK)         | IK08   |

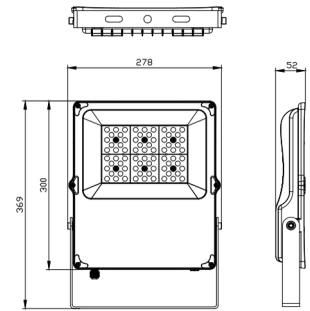
\* - Tolerance +/- 7%



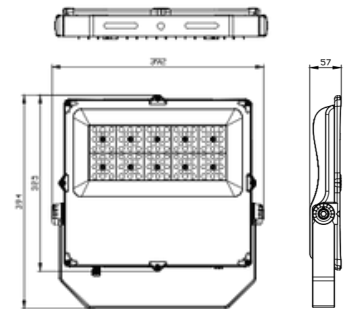
# VELA BASIC



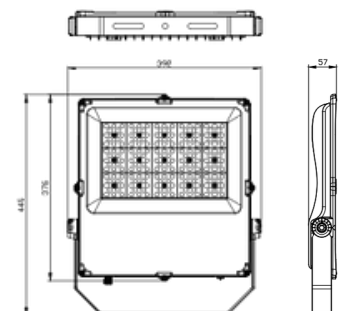
20W/40W



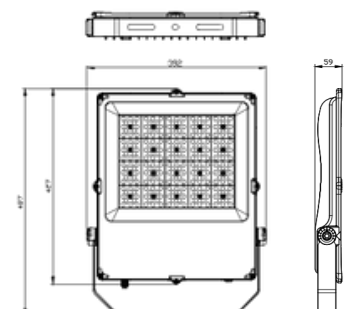
80W



120W/150W



200W/240W



300W

| Name        | Power (W) | Efficacy (lm/W) | Luminous Flux (lm) | Standard CCT (K) |
|-------------|-----------|-----------------|--------------------|------------------|
| VLB 20 740  | 20        | 135             | 2700               | 4000             |
| VLB 40 740  | 40        | 135             | 5400               | 4000             |
| VLB 80 740  | 80        | 135             | 10800              | 4000             |
| VLB 120 740 | 120       | 135             | 16200              | 4000             |
| VLB 150 740 | 150       | 135             | 20250              | 4000             |
| VLB 200 740 | 200       | 135             | 27000              | 4000             |
| VLB 240 740 | 240       | 135             | 32400              | 4000             |
| VLB 300 740 | 300       | 135             | 40500              | 4000             |

## Key Features

- High-Performance Illumination - Offers a wide range of luminous outputs from 2,600lm to 40,500lm, ensuring optimal brightness for diverse applications.
- Durable & Weather-Resistant - Built with ADC12 aluminum housing, tempered glass cover, and IP66-rated protection, ensuring resilience in harsh environments.
- Energy-Efficient Design - High efficacy of 135 lm/W minimizes energy consumption while maximizing light output.
- Robust Electrical Protection - Equipped with up to 10kV surge protection, safeguarding against voltage fluctuations.
- Versatile Installation - Supplied with a 1m external cable as standard, with other lengths available upon request.
- Extended Lifespan - Designed for 75,000 hours of operation (at 25°C), reducing maintenance needs and lifecycle costs.
- Reliable Performance in Extreme Conditions - Operates efficiently in temperatures ranging from -40°C to +50°C.